

TREGO LASER POINTER

FOR VFP-500

*Fast and easy
positioning of
cylinder head*

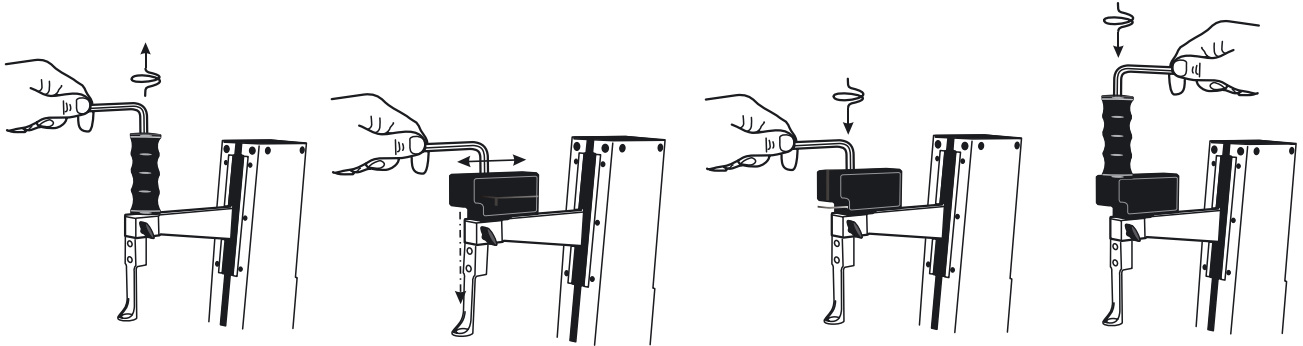


TREGO MASKIN AB

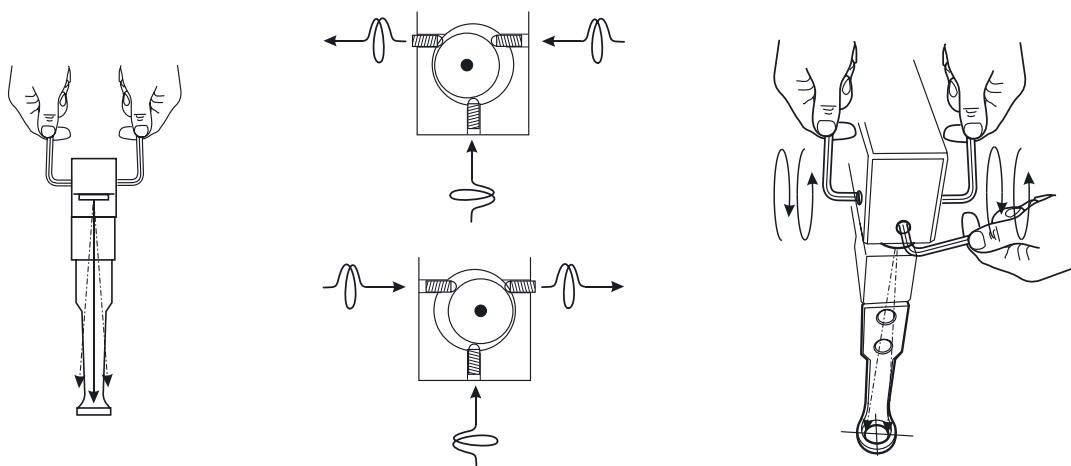
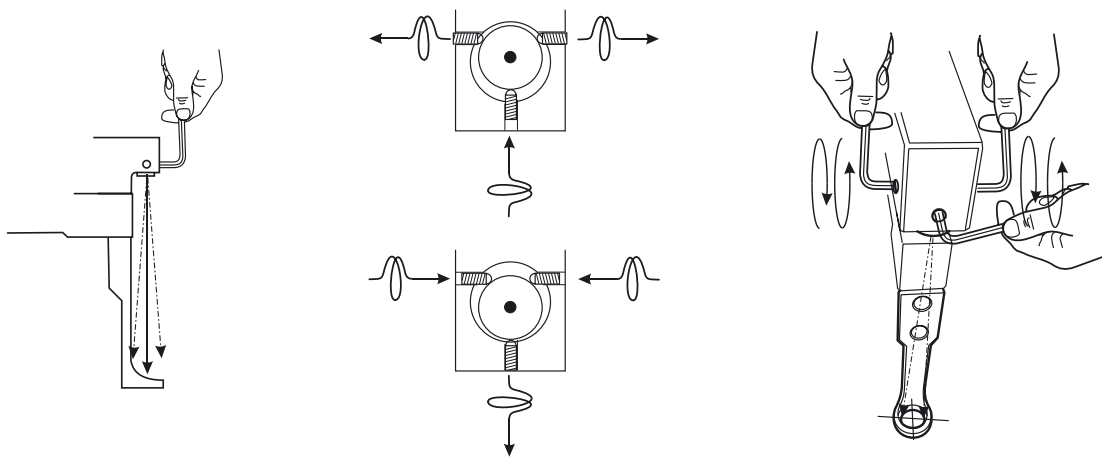
TREGO LASER POINTER

FOR VFP-500

Step 1: Installation



Step 2: Adjustment



TREGO MASKIN AB

RATTGATAN 6, SE-827 35 LJUSDAL, SWEDEN • TEL:+46 651 124 60
INFO@TREGOMASKIN.SE • WWW.TREGOMASKIN.SE

Distributed by: